

**Fig. 67**

**Pipe or Conduit Hanger**

**Size Range:** 1/2" through 6"

**Material:** Carbon steel

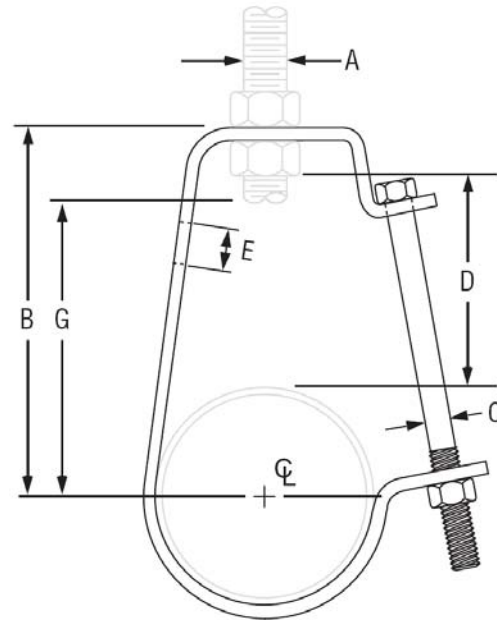
**Finish:** Galvanized

**Service:** Can be suspended by hanger rod or attached to wall. "T" slot in hanger permits side bolt to be installed after installation and setting of pipe.

**Approvals:** Complies with Federal Specification A-A-1192A (Type 5) and MSS-SP-69 (Type 5).

**Components:** Strap and bolt with nut – assembled.

**Ordering:** Specify pipe size, figure number and name.



**Fig. 67: Loads (lbs) • Weight (lbs) • Dimensions (in)**

Pipe Size	Load Rating	Weight	Rod Size A	B	C	D	E	F	G
1/2	400	0.21	3/8	2 <sup>5</sup> / <sub>8</sub>	1/4	1 <sup>3</sup> / <sub>4</sub>	7/16	1 <sup>1</sup> / <sub>2</sub>	1 <sup>15</sup> / <sub>16</sub>
3/4		0.22		2 <sup>7</sup> / <sub>8</sub>		1 <sup>7</sup> / <sub>8</sub>		1 <sup>11</sup> / <sub>16</sub>	2 <sup>1</sup> / <sub>8</sub>
1		0.25		2 <sup>15</sup> / <sub>16</sub>		1 <sup>15</sup> / <sub>16</sub>		1 <sup>13</sup> / <sub>16</sub>	2 <sup>5</sup> / <sub>16</sub>
1 <sup>1</sup> / <sub>4</sub>		0.27		3 <sup>1</sup> / <sub>4</sub>		2		2 <sup>1</sup> / <sub>16</sub>	2 <sup>5</sup> / <sub>8</sub>
1 <sup>1</sup> / <sub>2</sub>		0.29		3 <sup>9</sup> / <sub>16</sub>		2 <sup>3</sup> / <sub>16</sub>		2 <sup>7</sup> / <sub>16</sub>	2 <sup>7</sup> / <sub>8</sub>
2		0.31		3 <sup>11</sup> / <sub>16</sub>		2 <sup>1</sup> / <sub>8</sub>		2 <sup>9</sup> / <sub>16</sub>	3 <sup>1</sup> / <sub>16</sub>
2 <sup>1</sup> / <sub>2</sub>	500	0.71	1/2	4 <sup>7</sup> / <sub>16</sub>	3/8	2 <sup>7</sup> / <sub>16</sub>	9/16	3 <sup>3</sup> / <sub>16</sub>	3 <sup>5</sup> / <sub>8</sub>
3		0.78		4 <sup>13</sup> / <sub>16</sub>		2 <sup>9</sup> / <sub>16</sub>		3 <sup>1</sup> / <sub>2</sub>	4 <sup>1</sup> / <sub>16</sub>
4	550	1.39	5/8	6 <sup>1</sup> / <sub>8</sub>		3 <sup>3</sup> / <sub>16</sub>		4 <sup>5</sup> / <sub>8</sub>	5 <sup>3</sup> / <sub>16</sub>
5		1.66		6 <sup>3</sup> / <sub>4</sub>		3 <sup>1</sup> / <sub>4</sub>		5 <sup>1</sup> / <sub>16</sub>	5 <sup>3</sup> / <sub>4</sub>
6	600	2.26	3/4	7 <sup>3</sup> / <sub>4</sub>		3 <sup>9</sup> / <sub>16</sub>		5 <sup>13</sup> / <sub>16</sub>	6 <sup>5</sup> / <sub>8</sub>



**International Seismic Application Technology**  
 14848 E. Northam Street, La Mirada, CA 90638  
 877-999-4728 (Toll Free) 714-523-0845 (fax)  
 www.isatsb.com

*W V Jaeger*

Model Law Structural Engineer  
 NCEES No. 20675

Rev. 0  
 11/01/06

Page  
**H5.13**