

100% DOMESTIC

Pumping Tee

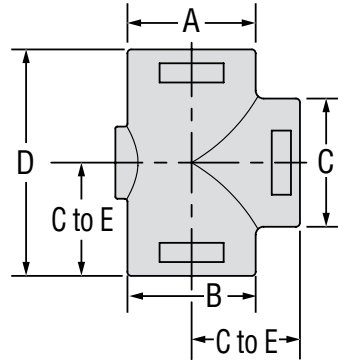
**MADE IN THE U.S.A.
EXPANDS OILFIELD PACKAGE
BARE AND IPC IN STOCK**



Building Connections That Last



ANVIL[®]
INTERNATIONAL



Material Options

Ductile Iron per ASTM A395 Gr. 60-40-18

Finish Options

- Rust Inhibiting Paint: RED (Standard)
- Scotchkote 134
- Corvel 1660
- Teflon available

PUMPING TEE									
Size	Working Pressure		OD A	OD B	OD C	C TO E	D	Unit Weight	
	in	PSI bar	in mm	in mm	in mm	in mm	in mm	lbs	kg
2" 8RD EUE x 2" 8RD EUE x 2" 11½V REG								10.0	4.5
2" 8RD EUE x 2" 11½V REG x 2" 11½V REG			3⅝ 92	3⅝ 92	3⅝ 92	3 76	6 152	10.0	4.5
2" 11½V REG x 2" 11½V REG x 2" 11½V REG								11.0	5.0
2½" 8RD EUE x 2½" 8RD EUE x 2" 11½V REG								13.0	5.9
2½" 8RD EUE x 2½" 8V LP x 2" 11½V REG								14.0	6.4
2½" 8RD EUE x 2" 8RD EUE x 2" 11½V REG	3,000	206.8	4 102	4 102	4 102	3⅞ 90	7⅞ 179	14.0	6.4
2½" 8RD EUE x 2½" 8RD EUE x 2½" 8V LP								13.0	5.9
2½" 8RD EUE x 2½" 8RD LP x 2½" 8V LP								13.0	5.9
2½" 8RD EUE x 2½" 8RD EUE x 3" 8V LP								22.0	10.0
2½" 8RD EUE x 3" 8V LP x 3" 8V LP			4¾ 121	4¾ 121	4½ 114	4⅞ 103	8⅞ 206	20.0	9.1
3" 8RD EUE x 3" 8RD EUE x 3" 8V LP								18.0	8.2

Last thread in each combination is the side outlet.
All Pumping Tees have a 1" NPT bleeder port.