

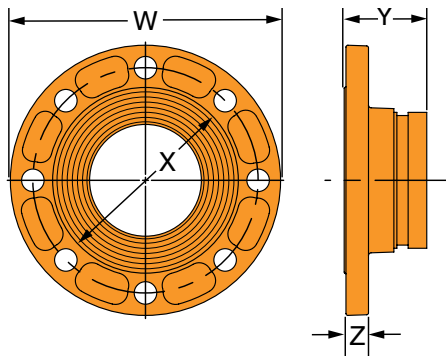


# Figure 7788

## Gruvlok® Flange Adapter



The Gruvlok Fig. 7788 Flange Adapter allows for direct connection of Class 125 or Class 150 flanged components to a grooved piping system. The Gruvlok Flange Adapter provides an alternative method of connecting to flanged components than the traditional Fig. 7012 Gruvlok Flange. The Gruvlok Flange Adapter provides a raised serrated face flange connection with a shorter overall length than Anvil's Fig. 7084 Flange x Groove Nipple.



### MATERIAL SPECIFICATIONS

#### HOUSING:

Ductile Iron conforming to ASTM A 536, Grade 65-45-12

#### COATINGS:

Rust inhibiting paint – Color: ORANGE (standard), Red (optional)

Hot Dipped Zinc Galvanized (optional)

Other Colors Available (IE: RAL3000 and RAL9000)

For other Coating requirements Contact an Anvil Representative for more information.

**FIGURE 7788 GRUVLOK FLANGE ADAPTER**

Nominal Size	O.D.	Max. Working Pressure	Dimensions				Mating Flange Bolts					Approx. Wt. Ea.	
			W	X	Y	Z	Qty.	Size	Bolt Circle Diameter	Bolt Hole Diameter	Specified Torque		
In./DN(mm)	In./mm	PSI/bar	In./mm	In./mm	In./mm	In./mm	PN(10) (16)	In. (ISO)/mm	In./mm	In./mm	Min.	Max.	Lbs./kg
2	2.375	300	6	3 <sup>5</sup> / <sub>8</sub>	2 <sup>1</sup> / <sub>2</sub>	1 <sup>1</sup> / <sub>16</sub>	4	5/8 x 2 <sup>3</sup> / <sub>4</sub>	4 <sup>3</sup> / <sub>4</sub>	3/4	110	140	4.39
50	60.3	20.7	152.4	91.9	63.5	17.5	4	M16 x 70	120.7	19.1	149	190	2.0
2 <sup>1</sup> / <sub>2</sub>	2.875	300	7	4 <sup>1</sup> / <sub>8</sub>	2 <sup>1</sup> / <sub>2</sub>	3/4	4	5/8 x 2 <sup>3</sup> / <sub>4</sub>	5 <sup>1</sup> / <sub>2</sub>	3/4	110	140	6.17
65	73.0	20.7	177.8	104.6	63.5	19.1	4	M16 x 70	139.7	19.1	149	190	2.8
3	3.500	300	7 <sup>1</sup> / <sub>2</sub>	5	2 <sup>1</sup> / <sub>2</sub>	3/4	4	5/8 x 2 <sup>3</sup> / <sub>4</sub>	6	3/4	110	140	7.19
80	88.9	20.7	190.5	127.0	63.5	19.1	4	M16 x 70	152.4	19.1	149	190	3.3
4	4.500	300	9	6 <sup>3</sup> / <sub>16</sub>	2 <sup>3</sup> / <sub>4</sub>	3/4	8	5/8 x 2 <sup>3</sup> / <sub>4</sub>	7 <sup>1</sup> / <sub>2</sub>	3/4	110	140	10.68
100	114.3	20.7	228.6	157.2	69.9	19.1	8	M16 x 70	190.5	19.1	149	190	4.9
5	5.563	300	10	7 <sup>7</sup> / <sub>16</sub>	2 <sup>3</sup> / <sub>4</sub>	7/8	8	3/4 x 2 <sup>7</sup> / <sub>8</sub>	8 <sup>1</sup> / <sub>2</sub>	7/8	220	250	13.99
125	141.3	20.7	254.0	185.7	69.9	22.1	8	–	215.9	22.2	298	339	6.4
6	6.625	300	11	8 <sup>1</sup> / <sub>2</sub>	2 <sup>3</sup> / <sub>4</sub>	7/8	8	3/4 x 3 <sup>1</sup> / <sub>8</sub>	9 <sup>1</sup> / <sub>2</sub>	7/8	220	250	16.47
150	168.3	20.7	279.4	215.9	69.9	22.1	8	M20 x 80	241.1	22.2	298	339	7.5
8	8.625	300	13 <sup>1</sup> / <sub>2</sub>	10 <sup>5</sup> / <sub>8</sub>	3	6 <sup>1</sup> / <sub>64</sub>	8	3/4 x 3 <sup>1</sup> / <sub>4</sub>	11 <sup>3</sup> / <sub>4</sub>	7/8	220	250	24.79
200	219.1	20.7	342.9	269.7	76.2	24.1	8	M20 x 80	298.5	22.2	298	339	11.3
10*	10.750	300	16	12 <sup>3</sup> / <sub>4</sub>	3 <sup>3</sup> / <sub>8</sub>	1	12	7/8 x 3 <sup>1</sup> / <sub>2</sub>	14 <sup>1</sup> / <sub>4</sub>	1	320	400	36.75
250	273.1	20.7	406.4	323.9	85.7	25.4	12	M20 x 90	362.0	25.4	439	542	16.7
12*	12.750	300	19	15	3 <sup>1</sup> / <sub>2</sub>	1 <sup>13</sup> / <sub>64</sub>	12	7/8 x 3 <sup>3</sup> / <sub>4</sub>	17	1	320	400	56.31
300	323.9	20.7	482.6	381.0	88.9	30.5	12	–	431.8	25.4	439	542	25.6

NOTE: 10" and 12" Flange Adapters have a machined raise face. 2" through 8" Flange Adapters have a cast raised face.



**Northern Region**  
 Regional Distribution & Customer Service Center  
 750 Central Avenue • University Park, IL 60484  
 Tel: 708-885-3000 • Fax: 708-534-5441  
 Toll Free: 1-800-301-2701

**Southern Region**  
 Regional Distribution & Customer Service Center  
 1401 Valley View Lane, Suite 150 • Irving, TX 75061  
 Tel: 972-871-1206 • Fax: 972-641-8946  
 Toll Free: 1-800-451-4414

[www.anvilintl.com](http://www.anvilintl.com)