

## Fig. 779

## Multi-Connector Adapter

**Size Range:** Service Line: 1" through 8"

**Material:** Carbon steel

**Finish:**  Plain or  Galvanized

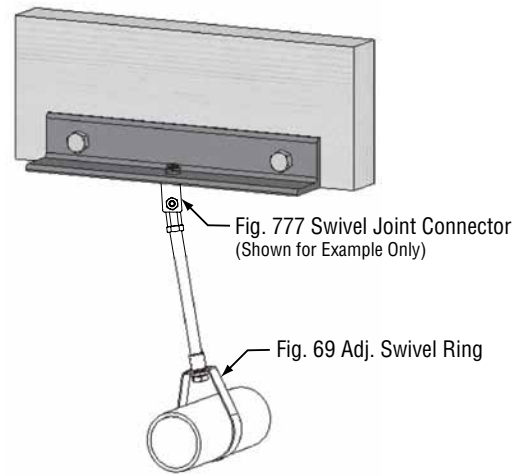
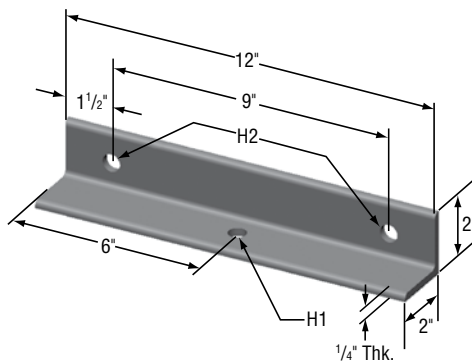
**Service:** Used to rigidly brace piping systems subjected to sway and seismic disturbances. Structural attachment component of Anvil's 700 series sway brace assembly. The multi-connector's two fasteners distributes the sway brace fitting attachment load to the structure, which maximizes the load capacity of the brace fitting. Can be utilized as a structural connection for either a lateral brace or longitudinal brace.

**Approvals:** UL and ULC Listed (UL 203A:2009). Complies with seismic bracing requirements of NFPA-13.

**Installation Instructions:**

1. NFPA 13 guidelines should be followed.
2. UL Maximum Load: 3,740 Lbs.

**Ordering:** Specify size, figure number, name and finish.



**FIG. 779: WEIGHT (LBS) • DIMENSIONS (IN)**

Size	Mounting Bolt Diameter	Fastener (2X) Diameter	H1 Diameter	H2 Diameter	Service Pipe	Weight
1*	3/8*	1/2	7/16	9/16	1 thru 4	3.06
2	1/2**	1/2	9/16	9/16	1 thru 6	3.06
3	1/2**	5/8	9/16	11/16	1 thru 6	3.04
4	1/2**	3/4	9/16	13/16	1 thru 8	3.02

\* 3/8" Mounting Bolt – Fig. 777 Swivel Joint Connector  
 \*\* 1/2" Mounting Bolt – Series 700 Anvil Brace Fittings  
 \* Size #1 with 3/8" mounting bolt is not UL Listed.

**Disclaimer:** Anvil International ("Anvil") does not provide any warranties and specifically disclaims any liability whatsoever with respect to Anvil bracing products and components that are used in combination with products, parts or systems not manufactured or sold by Anvil. In no event shall Anvil be liable for any incidental, direct, consequential, special or indirect damages or lost profits where non-Anvil bracing components have been, or are used.

**Notes:**

1. For fire protection installations - sway braces are intended to be installed in accordance with NFPA-13 and Anvil's installations instructions and local codes.
2. The required type, number and size of fasteners used for the structural attachment fitting shall be in accordance with NFPA-13.
3. To assure proper performance, installer is responsible for:
  - a. Structural integrity of attachment member to safely handle load requirements.
  - b. Securely tightening the component on the brace pipe.
4. Anvil International® brand bracing components are designed to be compatible ONLY with other Anvil International® brand bracing components, resulting in a Listed seismic bracing assembly.
5. Updated UL listing information may be viewed at [www.ul.com](http://www.ul.com) and FM approvals may be viewed at [www.fmgobal.com](http://www.fmgobal.com)

Go to [www.anvilintl.com/OPA](http://www.anvilintl.com/OPA) for State of California Office of Statewide Health Planning and Development (OSHPD) for design information relating to OSHPD projects.

Seis Brace® Seismic Fire Protection Design Tool may be accessed at [www.seisbrace.com](http://www.seisbrace.com)

PROJECT INFORMATION		APPROVAL STAMP	
Project:		<input type="checkbox"/> Approved	
Address:		<input type="checkbox"/> Approved as noted	
Contractor:		<input type="checkbox"/> Not approved	
Engineer:		Remarks:	
Submittal Date:			
Notes 1:			
Notes 2:			